



In response to complaints relating to turbochargers always also check the surroundings

Vehicle	Product	PIERBURG No.
Various, turbocharged	Electropneumatic pressure converters (EPW) Electric switchover valves (EUV) Vacuum pumps	see catalogue/TecDoc CD

Possible complaints:

- power loss
- jerkiness
- black smoke
- vehicle reverts to emergency mode

In the case of the complaints listed above, the fault is frequently attributed to the turbocharger.

But possible causes may also be:

- defective electropneumatic valves
- a vacuum pump delivering an insufficient vacuum
- leakage in the vacuum system



Note:

In the case of complaints which point to the turbocharger being at fault, always the components around it must also be checked.

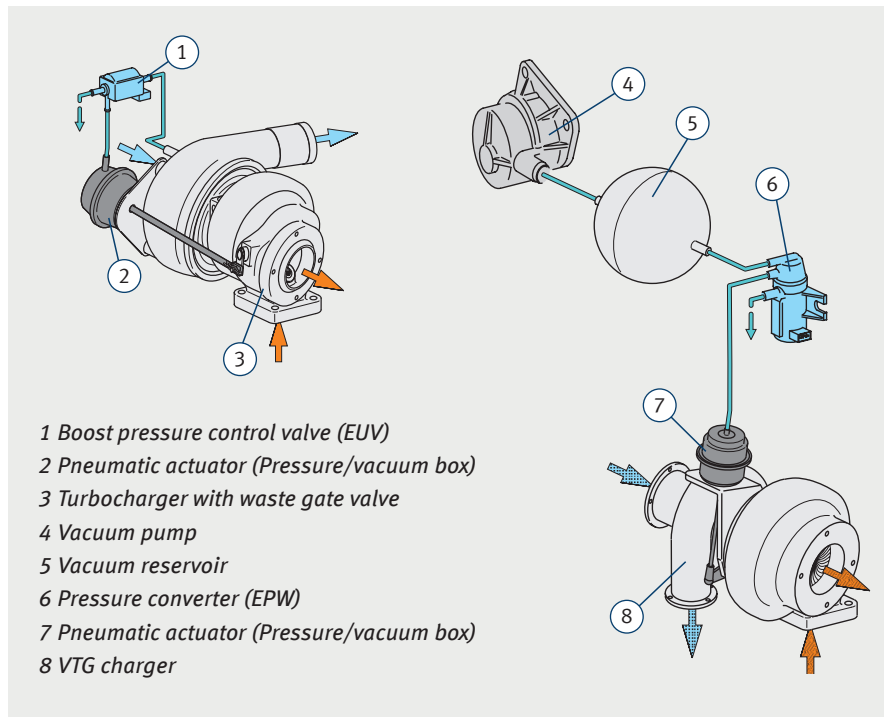


Fig.: VTG charger and EPW (highlighted in red) in the Audi A4 TDI

