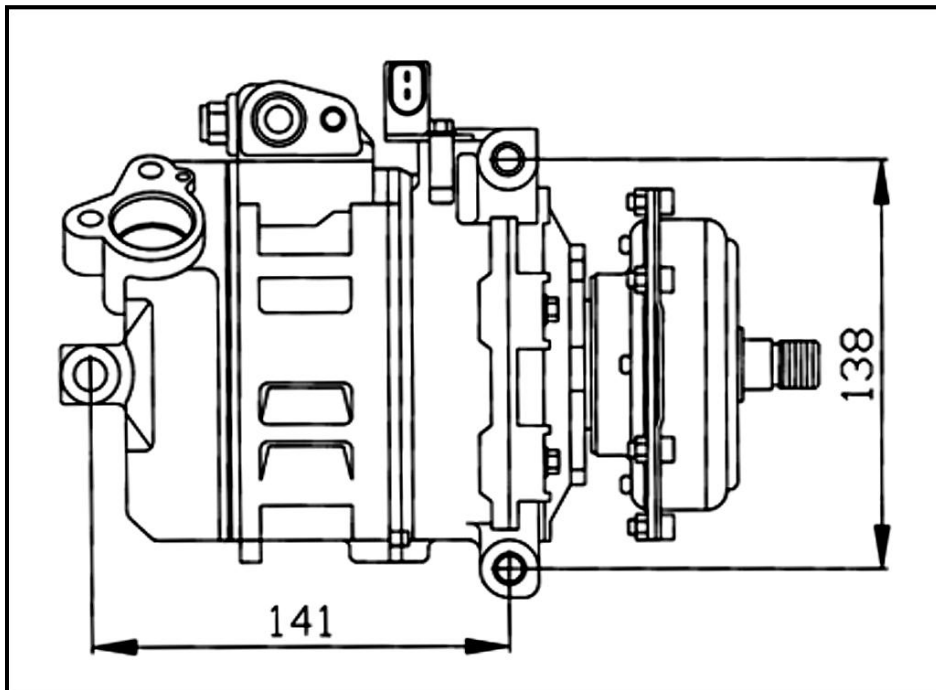
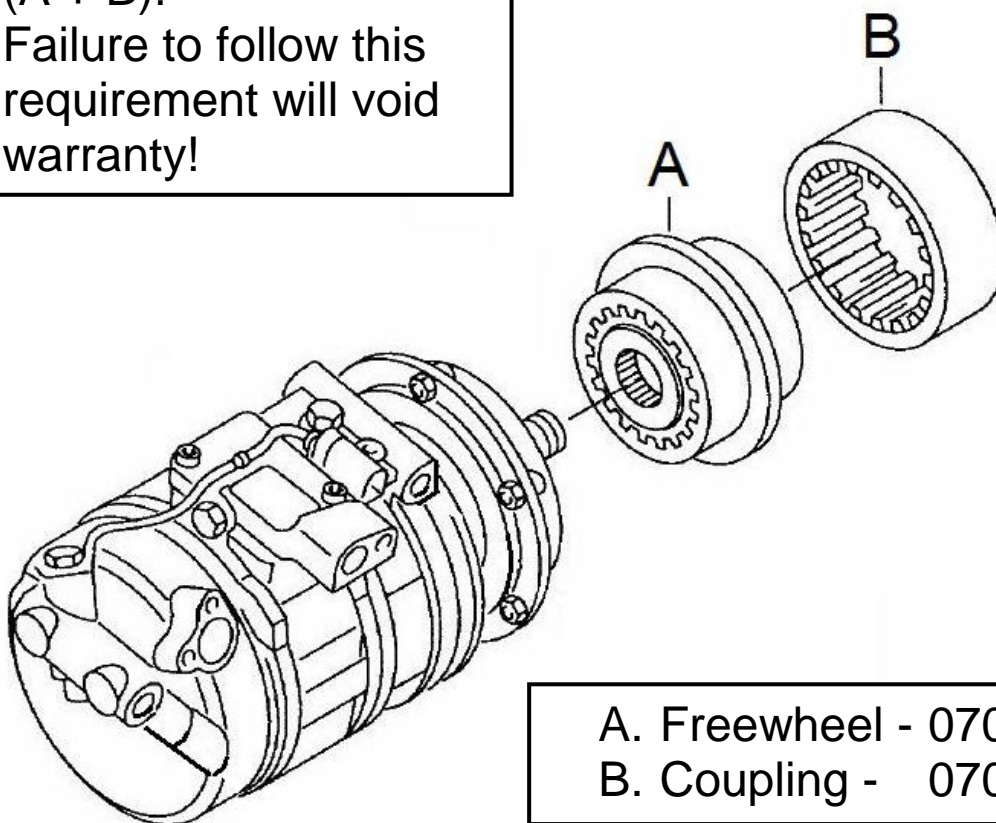


Installation requirements for compressor 32148



Note: It is absolutely necessary to install a brand new freewheel clutch and coupling (A + B)! Failure to follow this requirement will void warranty!



A. Freewheel - 070 903 201E
B. Coupling - 070 903 327D