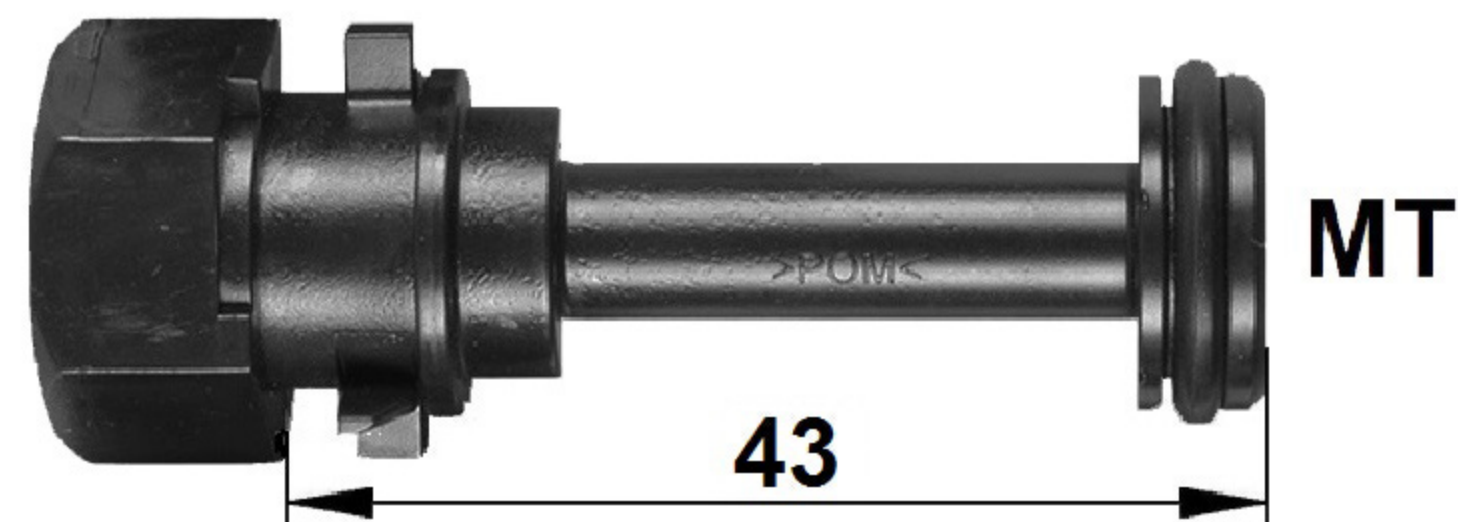
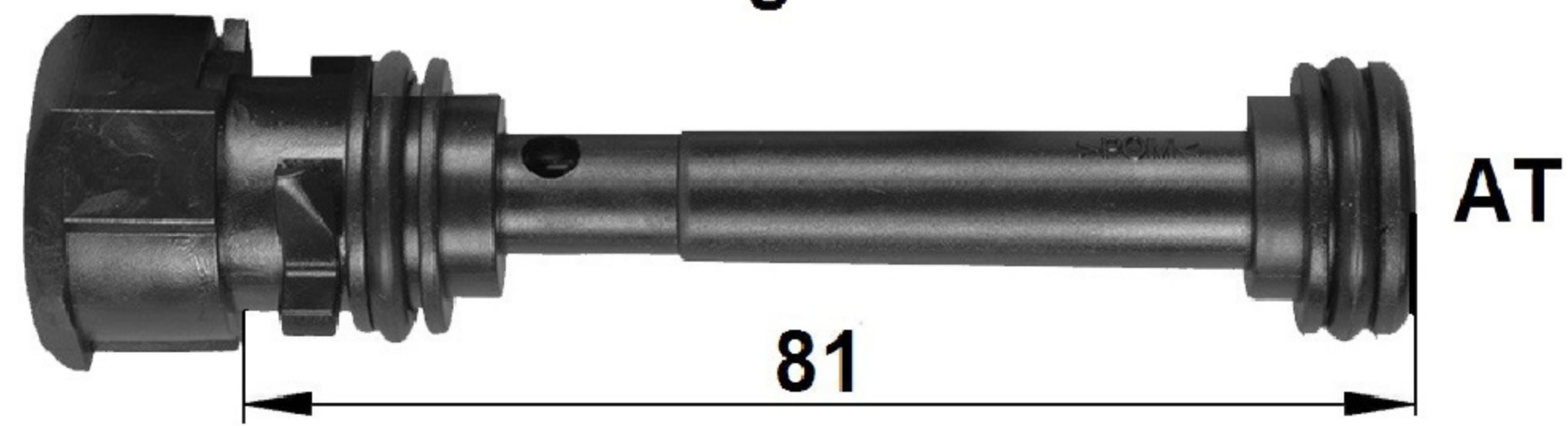




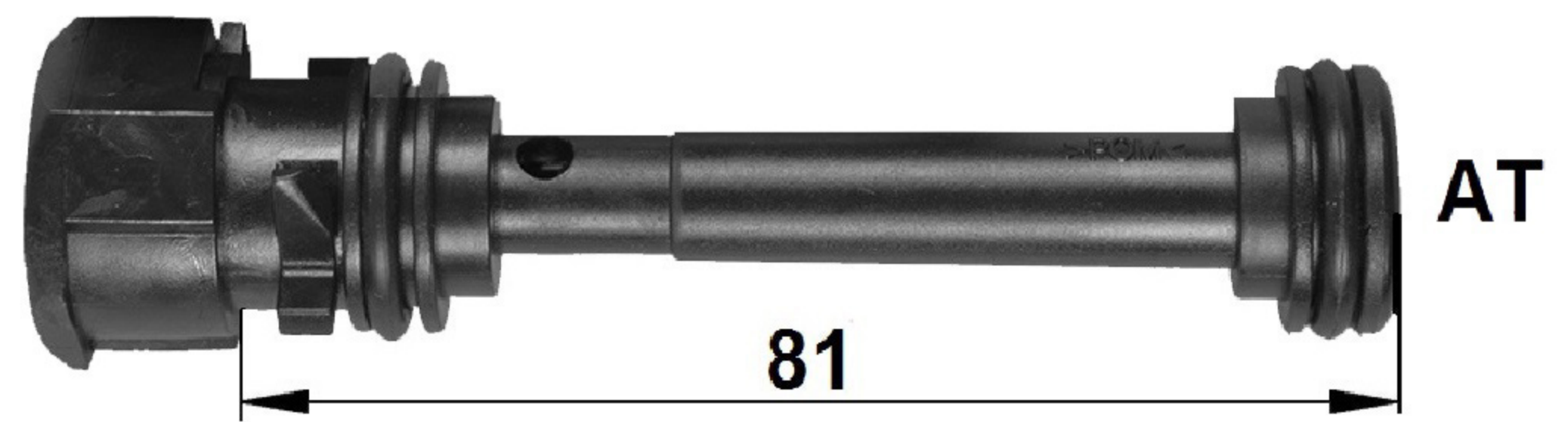
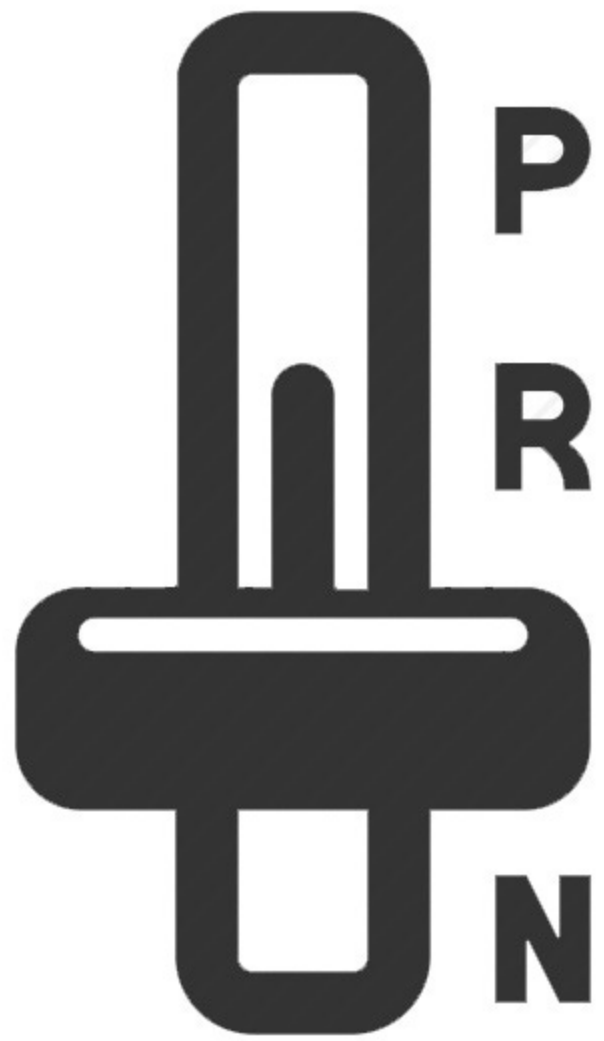
IMPORTANT



Plugs



Long plug for Automatic Gearbox



Short plug for Manual Gearbox

