

combined with
active carbon

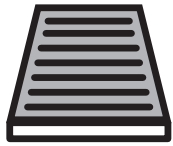


FOR
RENAULT

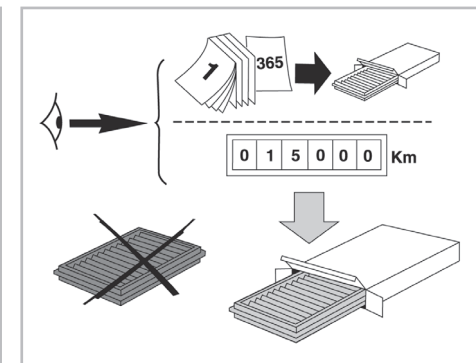
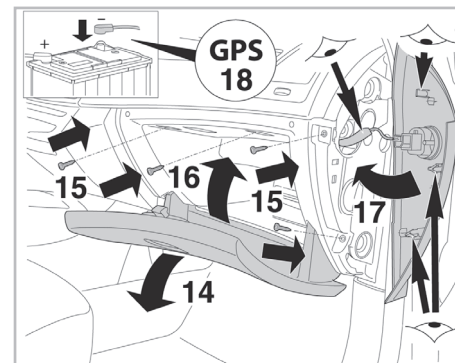
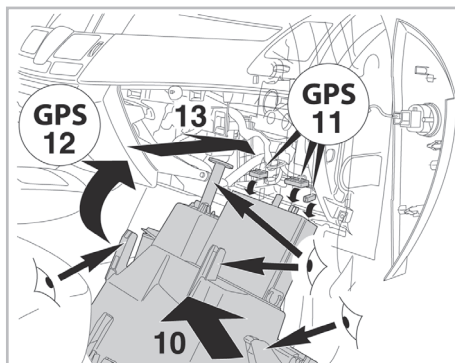
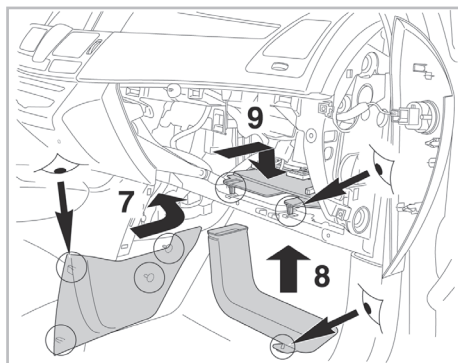
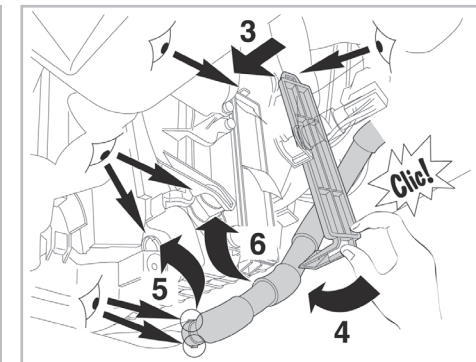
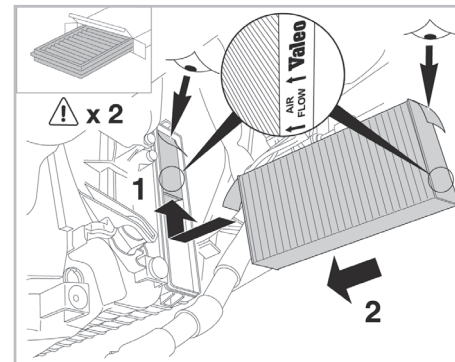
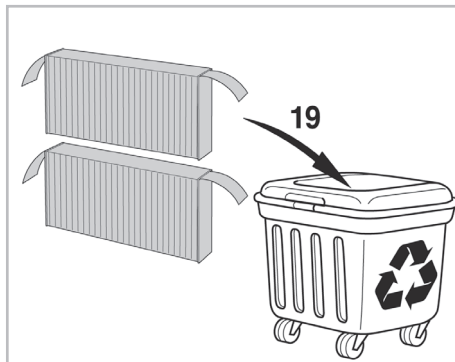
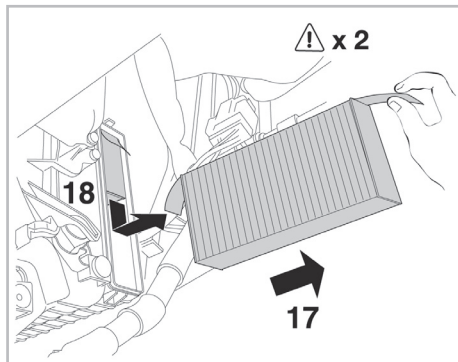
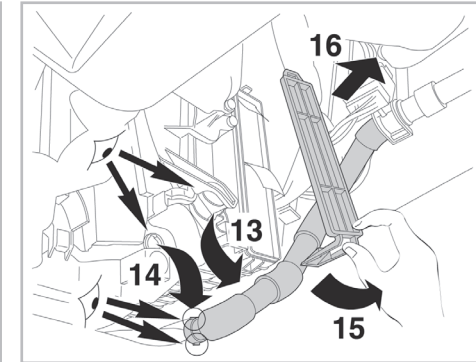
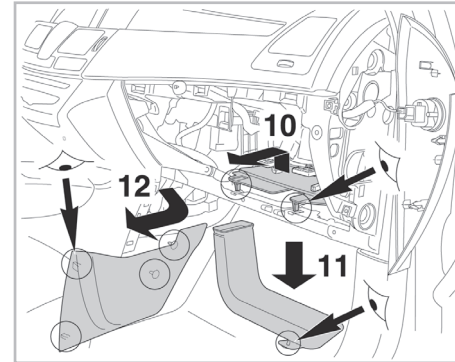
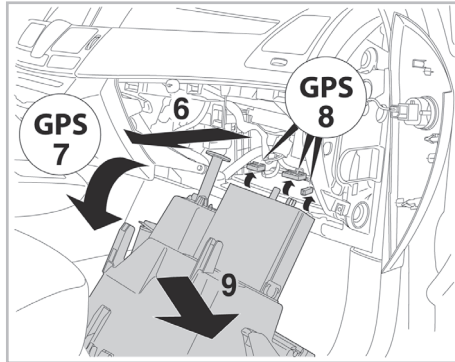
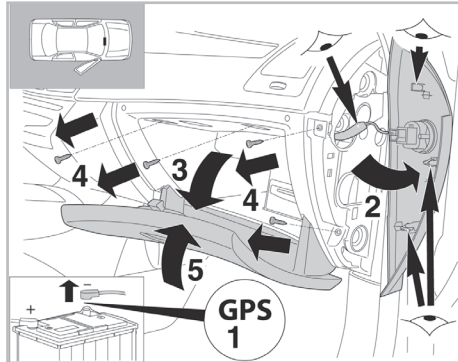
LAGUNA III A/C+/- (10/07 >)

715607

FH316



CA



**WANT TO
KNOW MORE?**



www.valeo-techassist.com