

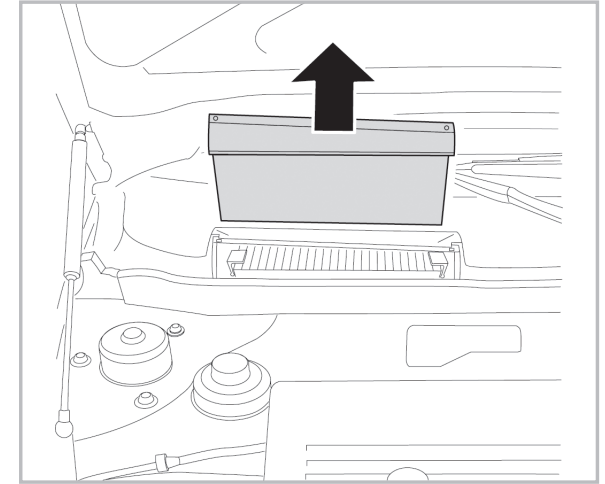
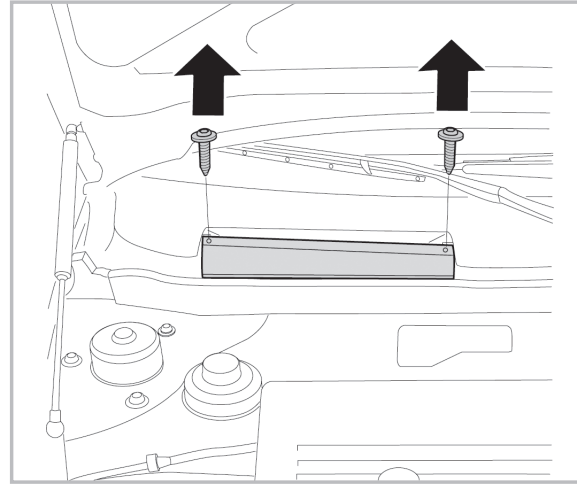
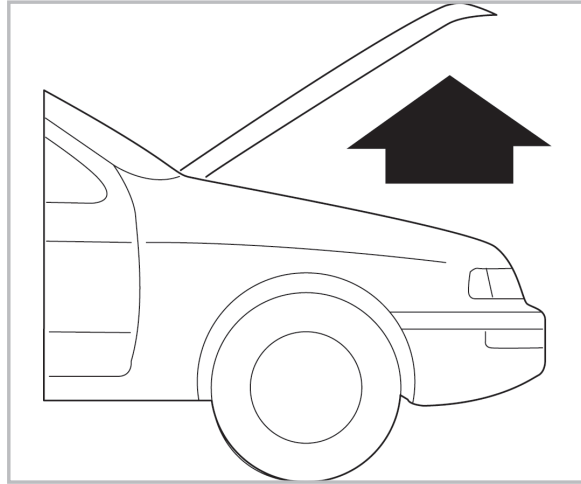


FOR
MERCEDES SPRINTER II A+ (04/06 >)
VOLKSWAGEN CRAFTER A/C+ (04/06 >)



COMFORT

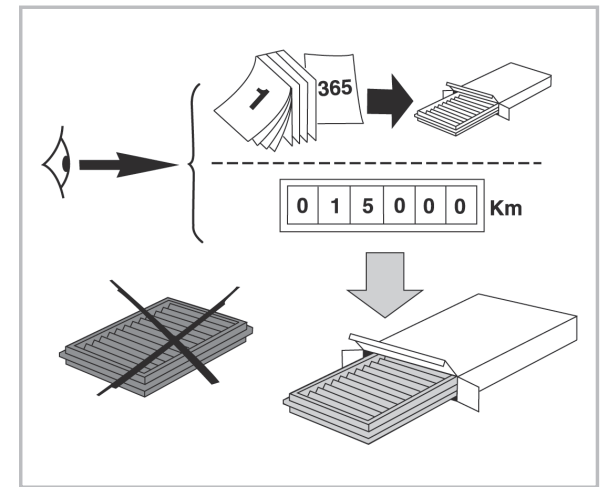
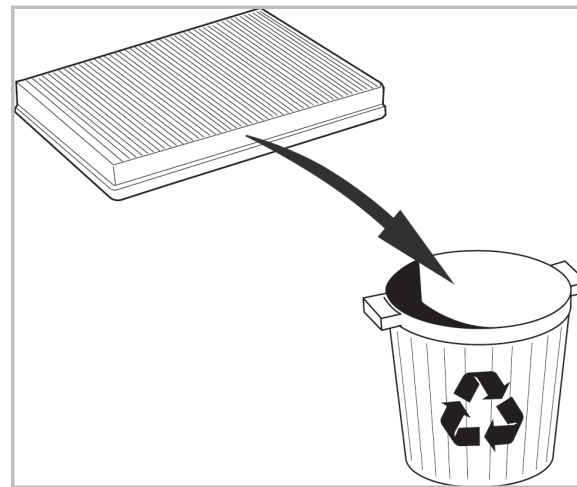
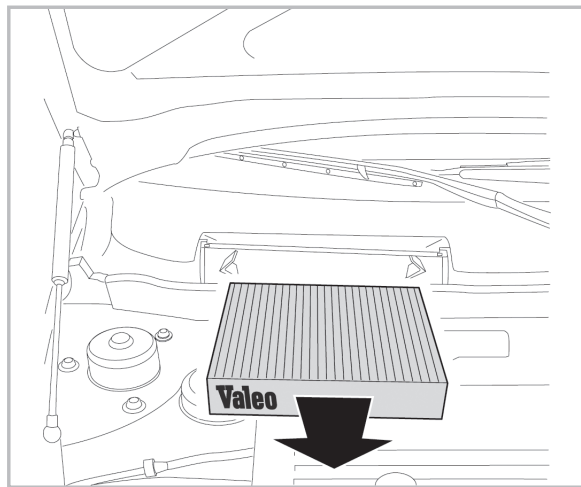
particle
filter



715601
FH436



PA



WANT TO
KNOW MORE?



www.valeo-techassist.com