



SI 1064
For technical personnel only!
1/4

SERVICE INFORMATION

ELECTRICAL FUEL PUMP E1F

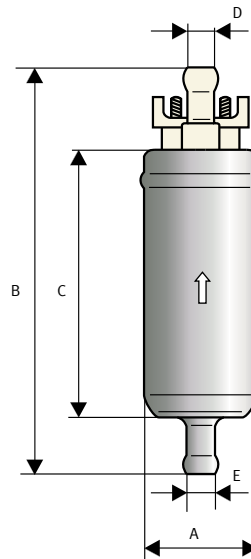
AS ADDITIONAL PUMP OR FOR UPGRADES

Vehicle	Product	Pierburg No.
Universal application	Electrical fuel pump E1F	7.21440.51.0/.53.0/.63.0/.68.0/.78.0

Electrical fuel pumps of type E1F are very versatile in their application:

- As a replacement for a mechanical fuel pump (vintage/classic cars)
- As additional pump parallel to an existing fuel pump
- As a second pump that can be activated as required (e.g. in off-road vehicles, in motor racing)
- In generators or boats
- As a pre-feeder pump
- suitable exclusively for petrol

Versions see table.



Pierburg No.	Nominal voltage	Static pressure (at 0 l/h)	Volumetric flow at	System pressure	Installation and connection dimensions (see Fig. 1) in mm					Current consumption
	V	bar (psi)	l/h	bar (psi)	Ø A	B	C	Ø D	Ø E	A
7.21440.51.0	12	0,27–0,38 (4–5,5)	95	0,10 (1,5)	38	133,5	84,5	8	8	≤2,0
7.21440.53.0	12 ¹⁾	0,44–0,57 (6,3–8,3)	100	0,15 (2,2)	38	133,5	84,5	8	8	≤2,05
7.21440.63.0	24	0,44–0,57 (6,3–8,3)	100	0,15 (2,2)	38	134,2	84,5	8	8	≤1,35
7.21440.68.0	24	>1,85 (>26,8)	95	1,00 (14,5)	38	139,5	90,5	8	8	≤3,0
7.21440.78.0	12	>1,85 (>26,8)	95	1,00 (14,5)	38	141,5	91,0	8	12	≤4,3

¹⁾ also suitable for 6 volt operation

All content including pictures and diagrams is subject to change. For assignment and replacement, refer to the current catalogues or systems based on TecAlliance.



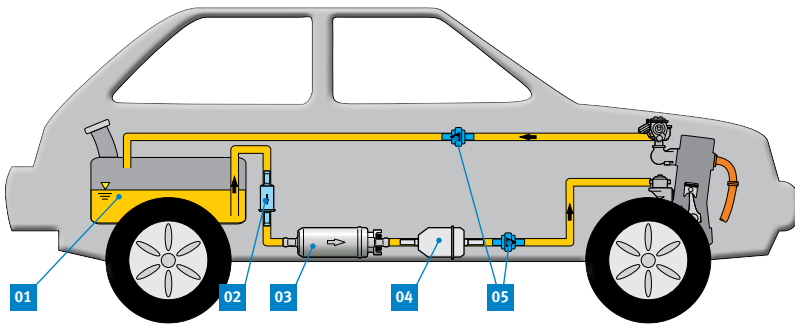


Fig. 3: General installation

Key, Figs. 3–5

- 01 Fuel tank
- 02 Sediment separator (coarse filter)
- 03 Electrical fuel pump E1F
- 04 Fuel filter (fine filter)
- 05 Check valve
- 06 Existing fuel pump
- 07 Bypass line around additional pump E1F
- 08 Bypass line around existing fuel pump

General notes on installation

The E1F (03) is installed in the fuel line. It is suitable for system pressures of 0.1 to 1.0 bar.

The maximum suction lift when lines are full is 500 mm. For this reason the fuel pump must be installed deep below the fluid level and close to the tank (01). Avoid large suction lifts and long or constricted fuel lines on the suction side. The fuel filter (04) (fine filter, paper filter) must always be situated on the discharge side, i.e. in the direction of the flow behind the fuel pump. There is a risk of “dry running” with a fuel filter on the suction side. Dry running leads to damages in the pump system. A wide-meshed sieve filter (02) (mesh size 60 to 100 µm) can be placed in front of the fuel pump (see p. 4). Type E1F fuel pumps feature a small separator in the intake side.

Example: Upgrading as additional pump

When using the E1F as additional pump it must be connected so that both pumps (03) and (06) can freely take in and feed. Taking in and feeding of a fuel pump through another is not possible. Fig. 4: To bridge the distance to an existing fuel pump (06), the E1F can be used as a second pre-feeder pump. For an existing fuel pump to be able to take in freely with the E1F switched off, a bypass line (07) must be laid around the E1F (03).

An E1F parallel to an existing mechanical or electrical fuel pump increases the volumetric flow. The existing fuel pump (06) must be bypassed with a bypass line (08). A check valve (05) must be installed in both bypass lines (07) and (08) so that the fuel does not flow back.

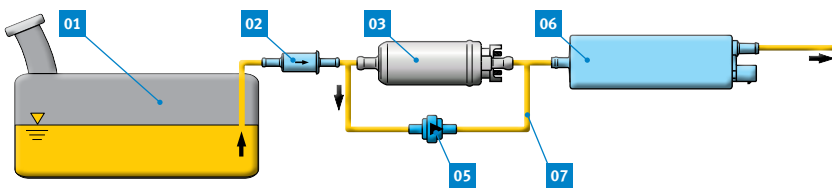


Fig. 4:
Installation of the E1F as pre-feeder pump

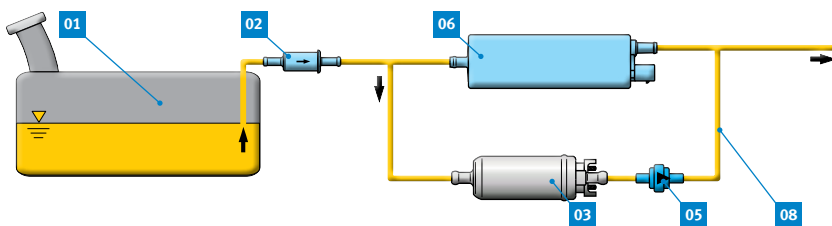


Fig. 5:
Installation of the E1F in parallel to an existing fuel pump



Electrical connection

The electrical fuel pump E1F is available for 12 and 24 Volt operation (see table p. 1). For 6 Volt operation, i.e. for veteran cars, we recommend the E1F 7.21440.53.0. In this case, the pressure and volumetric flow reduce to approx. half. If the E1F is switched on via a separate switch, this must be installed in the positive cable. Cross section of electric cables: at least 1.0 mm².

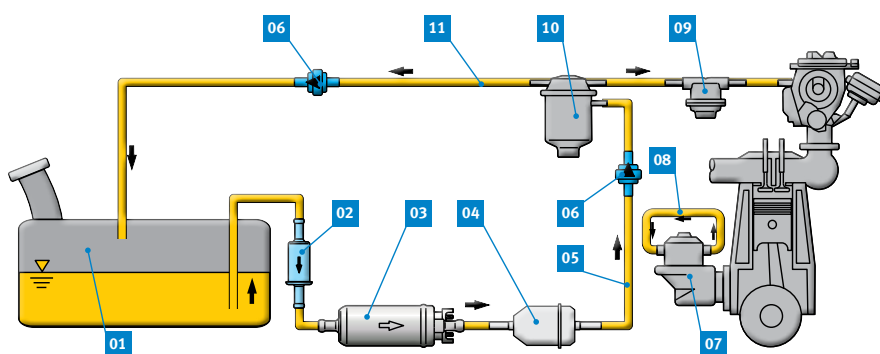
Example: Replacement for a mechanical fuel pump (Fig. 6)

Older vehicles usually have a mechanical diaphragm fuel pump (07). It is directly positioned on the engine and is driven via cams and pushers/levers. In case of malfunctions of the mechanical fuel pump, in many cases it can be replaced by an electrical fuel pump E1F. The “old” fuel pump (07) can be bypassed or removed. If it is removed, the opening on the engine side must be sealed so that it is oil-tight. If it is bypassed, use a piece of tubing (08) to connect the inlet and outlet to one another to prevent dirt from entering.

A check valve (06) should be installed in the flow line (05) so that the fuel does not flow back. For veteran cars a fuel return (11) is recommended (1 to 3 mm Ø, depending on the full-load consumption).

An injector nozzle* must be installed in the fuel return (11) as flow resistor, so that the fuel is pumped back into the fuel tank. The cross section of this nozzle must be calibrated to ensure the supply of fuel, even at full load. Problems of hot operation can be resolved by installing a gas bubble separator* (10).

A check valve (06) should be installed so that the return line (11) does not run dry. The installation of a pressure regulating valve* (09) is recommended for some carburetors.



Key, Figs. 6

- 01 Fuel tank
- 02 Sediment separator (coarse filter)
- 03 Electrical fuel pump E1F
- 04 Fuel filter (fine filter)
- 05 Flowline/bypass around mechanical fuel pump
- 06 Check valve
- 07 Mechanical fuel pump
- 08 Connection between inlet/outlet of mechanical fuel pump
- 09 Pressure regulating valve*
- 10 Gas bubble separator* or calibrating nozzle*
- 11 Fuel return

Fig. 6: Replacement for a mechanical fuel pump

* Not included in product range.



ACCESSORIES

Fuel sieve filter 4.00030.80.0

This fuel sieve filter protects the fuel pump from dirt and other foreign particles. It is installed in the fuel line between fuel tank and fuel pump. The fuel sieve filter has a diameter of 8 mm at the suction nozzle and should be replaced at the same maintenance interval as the fuel filter.



Fig. 7: Fuel sieve filter

Fuel check valves

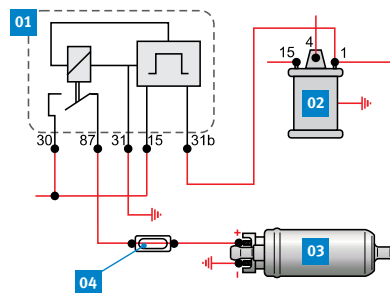
Fuel check valves are installed in fuel lines. They allow fuel to only flow in one direction and prevent tanks from draining or lines running dry.



Fig. 8: Fuel check valve

Safety shut-off *

When an electrical fuel pump is retrofitted, installation of a safety shut-off is mandatory. The shut-off relay* (01) shuts off the fuel pump if the engine comes to a stop but the ignition remains on (e.g. stalled engine, accident).



- 01** Shut-off relay*
(available at specialist dealers)
- 02** Ignition coil
- 03** Electrical fuel pump E1F
- 04** Fuse (10 A)

Fig. 9: Electrical connection e.g. for petrol engine



GENERAL SAFETY INFORMATION

- Work on the fuel system must only be carried out by specialist personnel.
- Only install clean parts. Make sure that impurities do not get into the fuel system.
- Only remove packaging and transport closures, e.g. plugs in new fuel pumps, immediately prior to installation.
- The aluminium housing of the E1F must not come into contact with salt water.
- Take care not to use material combinations that can lead to contact corrosion: do not allow the E1F to come into contact with galvanised surfaces, for example.
- Please note the applicable legal provisions and vehicle manufacturer's instructions.
- Observe the safety instructions with regard to dealing with fuel and fuel vapours.
- Use hose clamps to secure fuel lines to connecting tubes.
- Following modifications, make sure that the fuel system is tight and that the operating licence is valid.
- Our fuel pumps are not licensed for use in aircraft!

* Not included in product range.